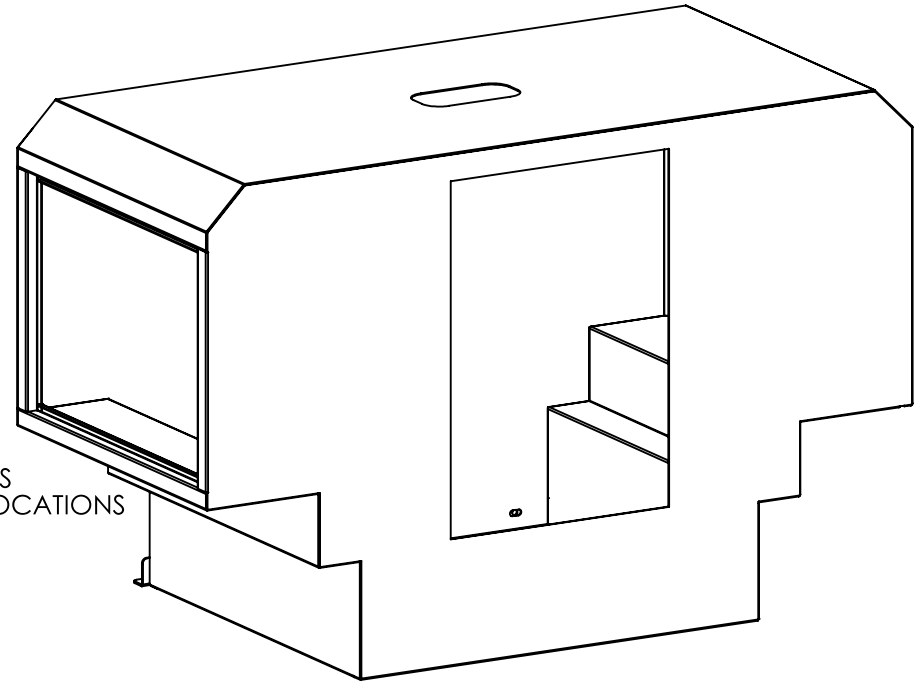
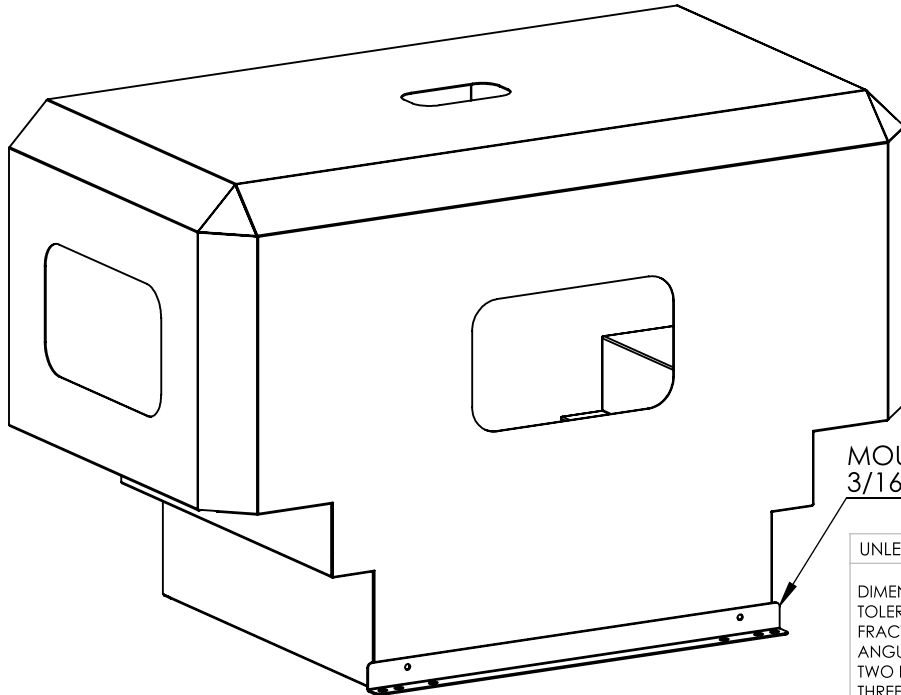


FEATURES & SPECIFICATIONS

- 100% MARINE GRADE 1/8" 5052-H32 ALUMINUM CONSTRUCTION
- TIG & MIG WELDED SEAMS & JOINTS
- AIRCRAFT QUALITY ALUMINUM FASTENERS
- REINFORCED ROOF, FRONT WALL & DOORS
- SPRAY FOAM INSULATION
- TWO RV STYLE SLIDING, TINTED WINDOWS WITH SCREENS
- HIGH QUALITY ROOF VENT
- STAINLESS STEEL HINGES & HARDWARE
- 12 VOLT INTERIOR DOME LIGHT (PRE-WIRED WITH LEAD & PLUG)
- AUTOMOTIVE SEAT BELT STYLE WEB BELTING FOR STRETCHER
- RED VINYL "ETV" EXTERIOR DECALS
- UNIVERSAL FIT & MOUNTING FOR ALL FULL-SIZE NORTH AMERICAN PICK-UPS
- MOUNTED THRU EXISTING FACTORY ENGINEERED TRUCK BED BOLT HOLE LOCATIONS



REAR VIEW



FRONT VIEW

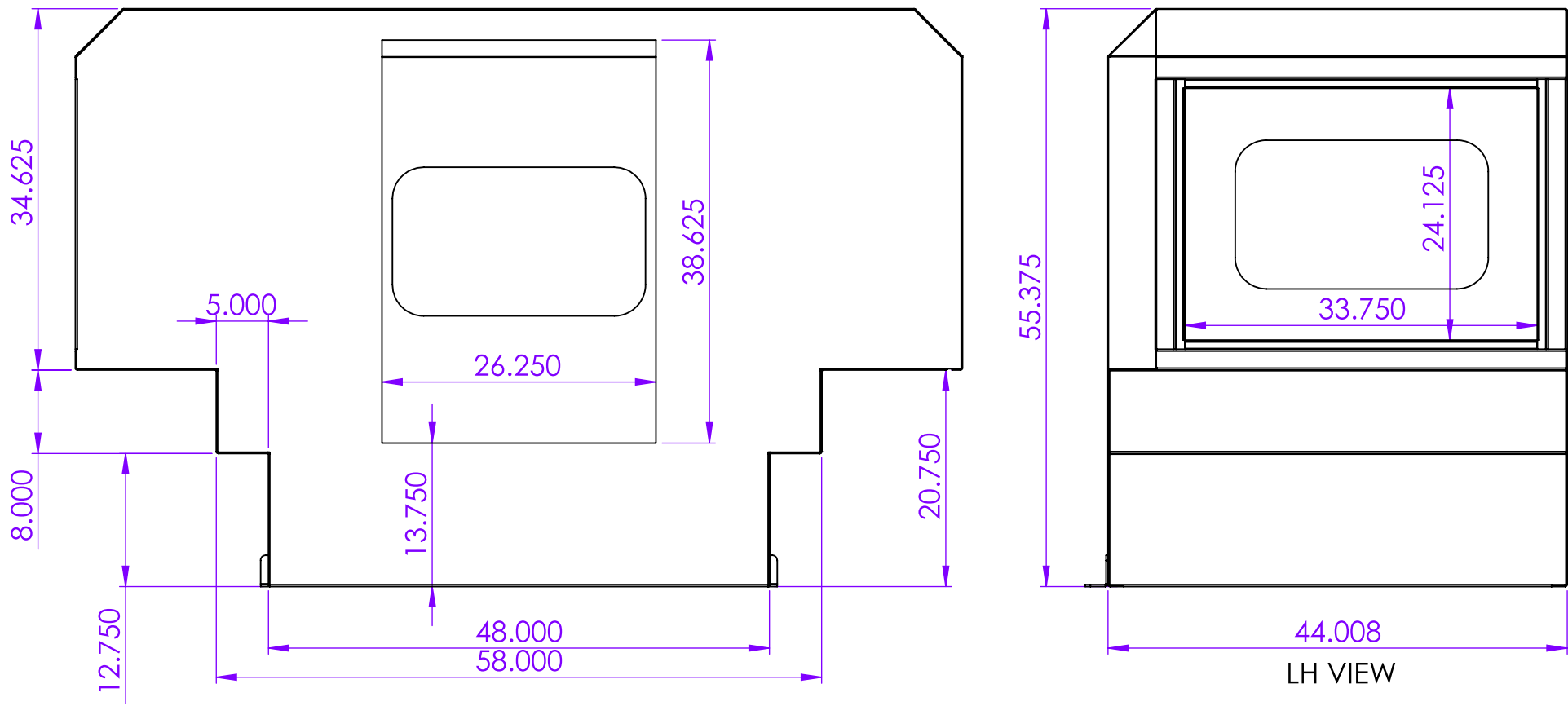
MOUNTING ANGLE-UNIVERSAL LB PU
3/16" STEEL - FORMED

UNLESS OTHERWISE SPECIFIED:		NAME	DATE
DIMENSIONS ARE IN INCHES TOLERANCES: ± .01 FRACTIONAL ± .1 ANGULAR: MACH ± .1 BEND ± TWO PLACE DECIMAL .01 ± THREE PLACE DECIMAL .001 ±	MODEL	S	8/03/2011
INTERPRET GEOMETRIC TOLERANCING PER:	DRAWING	S	3/16/2013
MATERIAL 1/8" 5052-H32 ALUMINUM	REVISION	S	12/18/2013
FINISH CLEAN	MFG APPR.		
DO NOT SCALE DRAWING	Q.A.		
	COMMENTS:		
	QUANTITY: X1		

EXPRESS CUSTOM MFG.

TITLE: ETV UNIT VERSION 2			
SIZE A	DWG.# ETV-V2 ASLB	REV 1.1	
SCALE: N/A WEIGHT:		SHEET 1 OF 4	

PROPRIETARY AND CONFIDENTIAL
THE INFORMATION CONTAINED IN THIS
DRAWING IS THE SOLE PROPERTY OF
EXPRESS CUSTOM MFG. ANY
REPRODUCTION IN PART OR AS A WHOLE
WITHOUT THE WRITTEN PERMISSION OF
EXPRESS CUSTOM MFG. IS
PROHIBITED.



REAR VIEW

LH VIEW

PROPRIETARY AND CONFIDENTIAL
 THE INFORMATION CONTAINED IN THIS DRAWING IS THE SOLE PROPERTY OF EXPRESS CUSTOM MFG. ANY REPRODUCTION IN PART OR AS A WHOLE WITHOUT THE WRITTEN PERMISSION OF EXPRESS CUSTOM MFG. IS PROHIBITED.

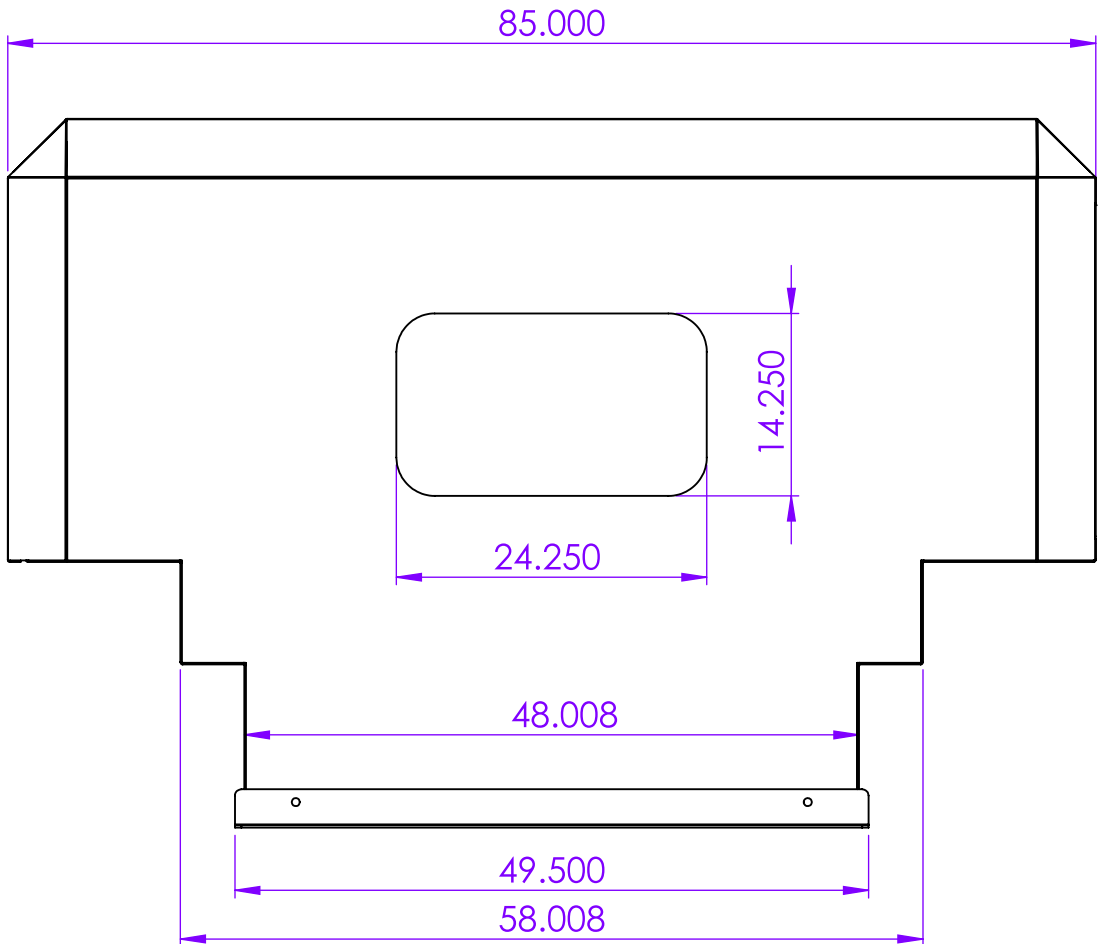
UNLESS OTHERWISE SPECIFIED:		NAME	DATE
DIMENSIONS ARE IN INCHES TOLERANCES: ± .01 FRACTIONAL ± .1 ANGULAR: MACH ± .1 BEND ± TWO PLACE DECIMAL .01 ± THREE PLACE DECIMAL .001 ±	MODEL	S	8/03/2011
	DRAWING	S	3/16/2013
	REVISION	S	12/18/2013
	MFG APPR.		
INTERPRET GEOMETRIC TOLERANCING PER:	Q.A.		
MATERIAL 1/8"5052-H32 ALUMINUM	COMMENTS:		
FINISH CLEAN			
DO NOT SCALE DRAWING	QUANTITY: X1		

EXPRESS CUSTOM MFG.

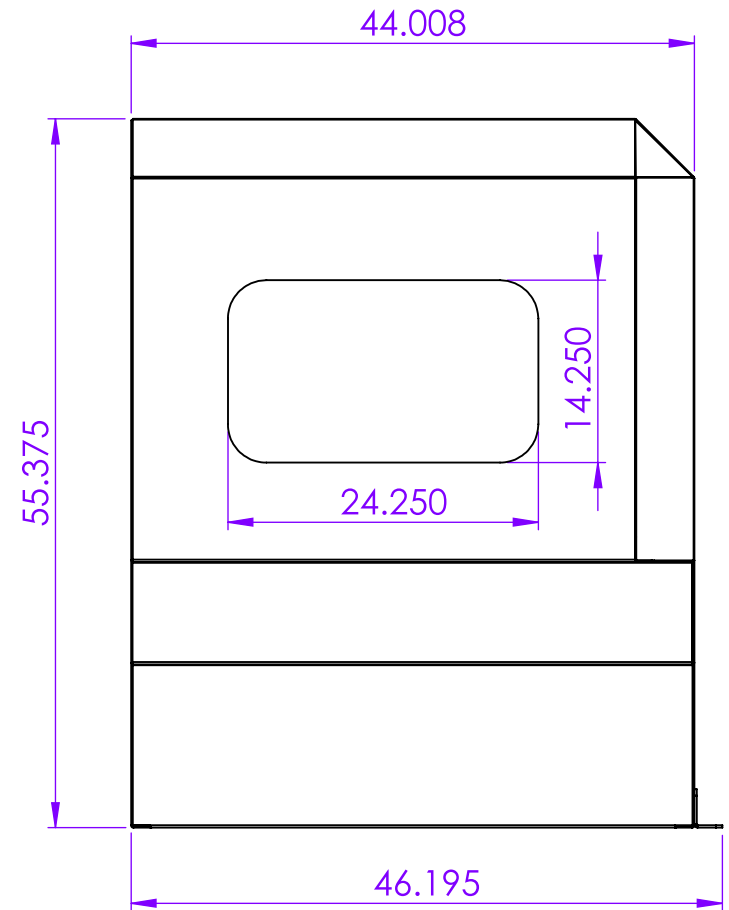
TITLE: **ETV UNIT
 VERSION 2**

SIZE A	DWG.#	ETV-V2 ASLB	REV 1.1
---------------	-------	------------------------	----------------

SCALE: N/A WEIGHT: SHEET 2 OF 4



FRONT VIEW



RH VIEW

PROPRIETARY AND CONFIDENTIAL
 THE INFORMATION CONTAINED IN THIS DRAWING IS THE SOLE PROPERTY OF EXPRESS CUSTOM MFG. ANY REPRODUCTION IN PART OR AS A WHOLE WITHOUT THE WRITTEN PERMISSION OF EXPRESS CUSTOM MFG. IS PROHIBITED.

UNLESS OTHERWISE SPECIFIED:		NAME	DATE
DIMENSIONS ARE IN INCHES TOLERANCES: ± .01 FRACTIONAL ± .1 ANGULAR: MACH ± .1 BEND ± TWO PLACE DECIMAL .01 ± THREE PLACE DECIMAL .001 ±	MODEL	S	8/03/2011
	DRAWING	S	3/16/2013
	REVISION	S	12/18/2013
	MFG APPR.		
INTERPRET GEOMETRIC TOLERANCING PER:	Q.A.		
MATERIAL	1/8"5052-H32 ALUMINUM		COMMENTS:
FINISH	CLEAN		
DO NOT SCALE DRAWING	QUANTITY: X1		

EXPRESS CUSTOM MFG.

TITLE: **ETV UNIT VERSION 2**

SIZE	DWG.#	ETV-V2 ASLB	REV
A			1.1

SCALE: N/A WEIGHT: SHEET 3 OF 4